

ASSEMBLY INSTRUCTIONS FOR YOUR

RORDERICK HALOGEN  
DOUBLE SCONCE

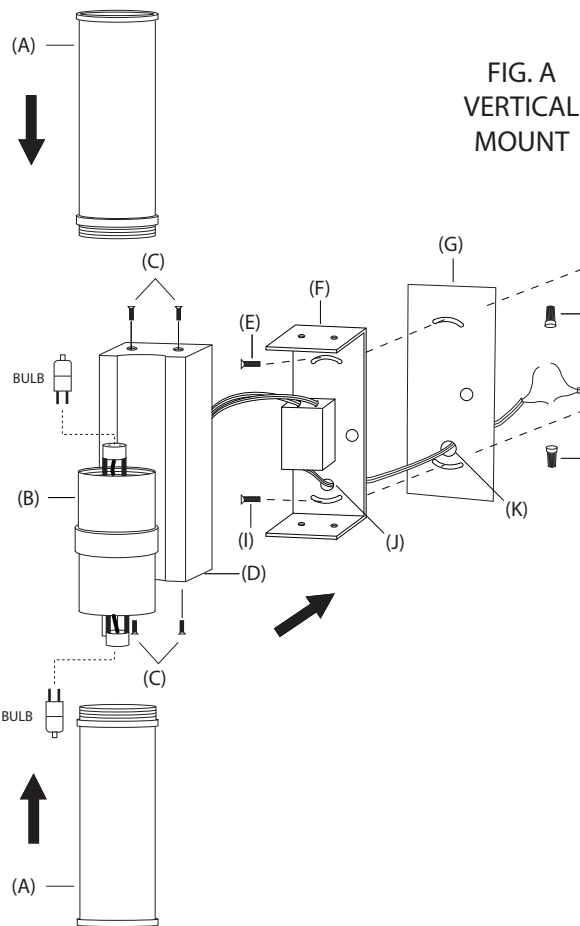


FIG. A  
VERTICAL  
MOUNT

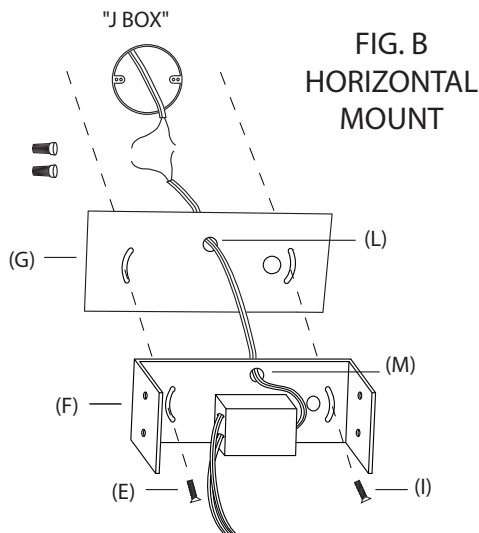


FIG. B  
HORIZONTAL  
MOUNT

**DIMMER WARNING:**

When using a dimmer device with this fixture, a specific Electronic Low Voltage (ELV) dimmer must be used to avoid potential damage to the transformer.

**WE STRONGLY RECOMMEND INSTALLATION OF FIXTURE BE PERFORMED BY A LICENSED ELECTRICIAN.**

**WARNING:** If any special control devices are used with this fixture, follow the instructions carefully to assure compliance with N.E.C. requirements. If there are any questions, contact a qualified electrical contractor.

**VERTICAL MOUNTING**

SHUT OFF MAIN ELECTRICAL SUPPLY FROM THE MAIN FUSE BOX / CIRCUIT BREAKER.

1. Remove all parts carefully from the box.
2. Remove glass shades (A) by unscrewing from threaded socket cover (B).
3. Remove backplate screws (C) from backplate (D).
4. Carefully position adapter plate (G) behind mounting plate (F) and guide wires from fixture through hole (J) located at bottom of mounting plate (F) and hole (K) located at the bottom of adapter plate (G).
5. Make proper electrical connection with wiring exiting bottom hole of adapter plate (G).
6. Connect ground wire (green) from the fixture to the ground wire in outlet box. Connect the black wire of the fixture (or smooth side of the wire) to the black wire in the outlet box using wire nuts (H). Connect the white wire of the fixture (or rough side of the wire) to the white wire in the outlet box using wire nuts (H).
7. Affix mounting plate (F) and adapter plate (G) to "J BOX" by inserting mounting plate screw (I) into slotted hole on bottom of mounting plate (F) and slotted hole on bottom of adapter plate (G). Thread screw (I) into bottom hole of "J BOX."
8. After mounting plate and adapter plate are moved into desired position, insert mounting plate screw (E) into slotted hole in top of mounting plate (F) and slotted hole in top of adapter plate (G) and thread screw (E) into drywall above "J BOX". Make sure to use threaded plastic sleeve (included) over mounting plate screw (E) when attaching fixture to drywall.
9. Align holes in top and bottom of backplate (D) with screw holes in top and bottom of mounting plate (F).
10. Place backplate (D) over mounting plate (F). Thread backplate screws (C) into backplate (D) to secure fixture to mounting plate (F).
11. Install two 30W max bi-pin 12V G4 & GY6.35 halogen bulbs into sockets
12. Align threaded section of glass shades (A) with threaded openings of socket cover (B). Thread glass shades (A) onto threaded socket cover (B) until tight.

**HORIZONTAL MOUNTING**

1. Follow steps 1 -3 listed above.
2. Carefully position adapter plate (G) behind mounting plate (F) and guide wires from fixture through hole (M) located in the middle of mounting plate (F) and hole (K) located in the middle of adapter plate (G).
3. Follow steps 5 - 6 listed above.
4. Position mounting plate (F) and adapter plate (G) horizontally over "J BOX". Affix mounting plate (F) and adapter plate (G) to drywall on right and left side of "J BOX" by inserting mounting plate screws (E) and (I) into slotted holes on right and left side of mounting plate (F) and adapter plate (G). Make sure to use threaded plastic sleeve (included) over mounting plate screws (E), and (I) when attaching fixture to drywall.
5. Follow steps 9 - 12 listed above.