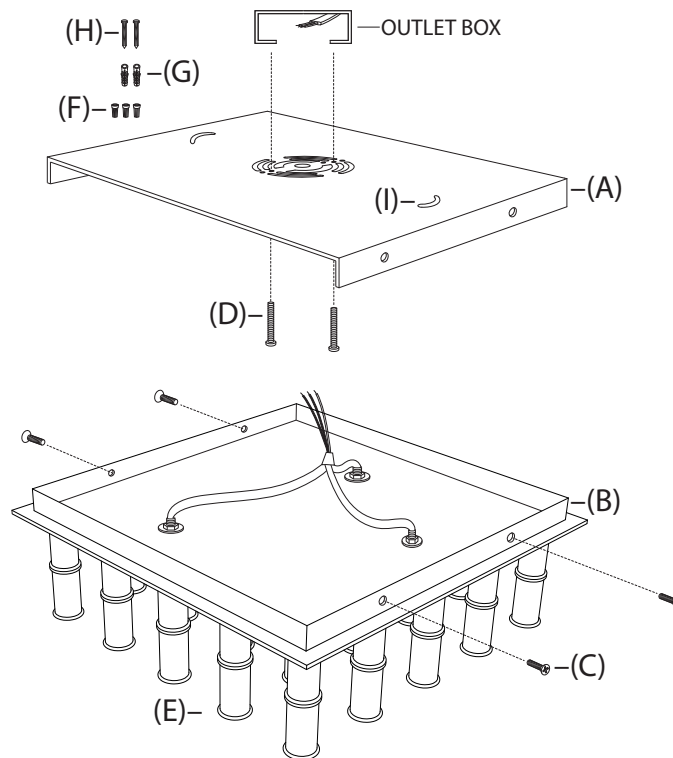


ASSEMBLY INSTRUCTIONS FOR YOUR  
**Jonathan Adler**  
MEURICE FLUSH MOUNT



**IMPORTANT SAFETY INSTRUCTIONS:**

- \* These instructions are provided for your safety.
- \* It is very important that they are read completely before beginning the installation of your fixture.
- \* WE STRONGLY RECOMMEND INSTALLATION BY A LICENSED ELECTRICIAN.
- \* Turn off power at switch before replacing bulbs, making sure fixture has had sufficient time to cool down.
- \* If any special control devices are used with this fixture, follow the instructions carefully to assure full compliance with N.E.C. requirements. If there are any questions, contact a qualified electrical contractor.

**ASSEMBLY INSTRUCTIONS:**

1. SHUT OFF THE MAIN ELECTRICAL SUPPLY FROM THE MAIN FUSE BOX/ CIRCUIT BREAKER.
2. Remove all parts from carton and discard packing materials.
3. Place parts on a level surface. Remove mounting plate (A) from canopy (B) by unthreading screws (C). Set screws (C) aside.
4. Lift the mounting plate (A) to the ceiling outlet box. Once aligned, use a pencil to mark the locations of the mounting holes (I) on the outside edges of the mounting plate.
5. Set the mounting plate (A) aside and drill small holes at the marked locations. Holes should be sized so they accommodate wall anchors (G).
6. Push anchors (G) into the holes. Attach mounting plate (A) to ceiling outlet box using screws (D). Thread screws (H) through holes (I) and into wall anchors (G) for additional support in attaching the mounting plate to the ceiling.
7. Lift the canopy (B) to the mounting plate (A) and make the proper electrical connections noted in steps 8 through 10.  
A LICENSED ELECTRICIAN IS RECOMMENDED.
8. Attach ground wire from fixture (green or copper in color) to ground wire from outlet box. Fasten wires together with wire nut (F) and tightly wrap connection with electrical tape.
9. Attach hot wire from fixture (black in color or smooth side of wire) to hot wire from outlet box. Fasten wires together with wire nut (F) and tightly wrap connection with electrical tape.
10. Attach neutral wire from fixture (white in color or ribbed side of wire) to neutral wire from outlet box. Fasten wires together with wire nut (F) and tightly wrap connection with electrical tape.
11. Gently push connections into outlet box.
12. Lift canopy (B) to mounting plate (A). Use screws (C) to attach the canopy to the mounting plate.
13. Install (25) 15W MAX. G16.5 Candelabra base bulbs into sockets (E).
14. Reconnect main electrical supply at the fuse box/ circuit breaker and test the fixture.

\*\* To clean, use soft cloth only. Do not use any chemical or abrasive cleaners. \*\*