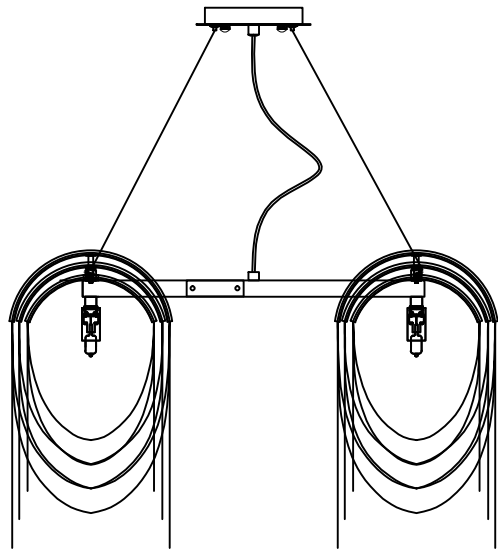



Trade Mark:
CRYSTAL WORLD INC

Product Name: Pendant lamp
Model :5637P24C
120Vac, 60Hz,AC ONLY
Lamp Size:D24"*H10"



PENDANT LAMP ASSEMBLY INSTRUCTIONS

1.Install bulbs(NOT INCLUDED).USE 120V G9  8*40W Max.

