

CWI LIGHTING

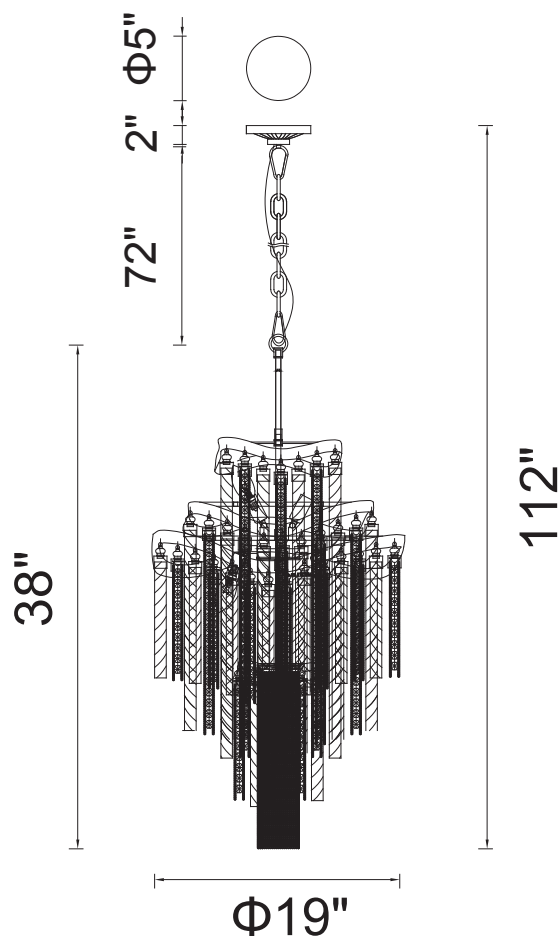
BRIGHTER LIVING. SIMPLIFIED.

PROJECT: _____

FIXTURE TYPE: _____

LOCATION: _____

CONTACT/PHONE: _____



Item	5648P19C
Collection	STORM
Finish	Chrome
Glass	Clear
Crystal	Clear
Input	120V AC,60HZ,AC

Shade	-----
Length/Dia.	19"
Width/Ext.	-----
Height	38"
Maximum	112"
Lumens	-----

Light Source	E12
Bulb Info.	10×60W
Included	-----
Dimmable	No
Color	-----
Weight	