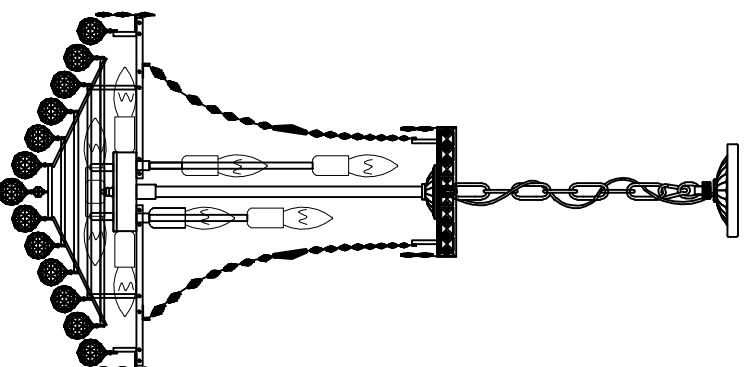



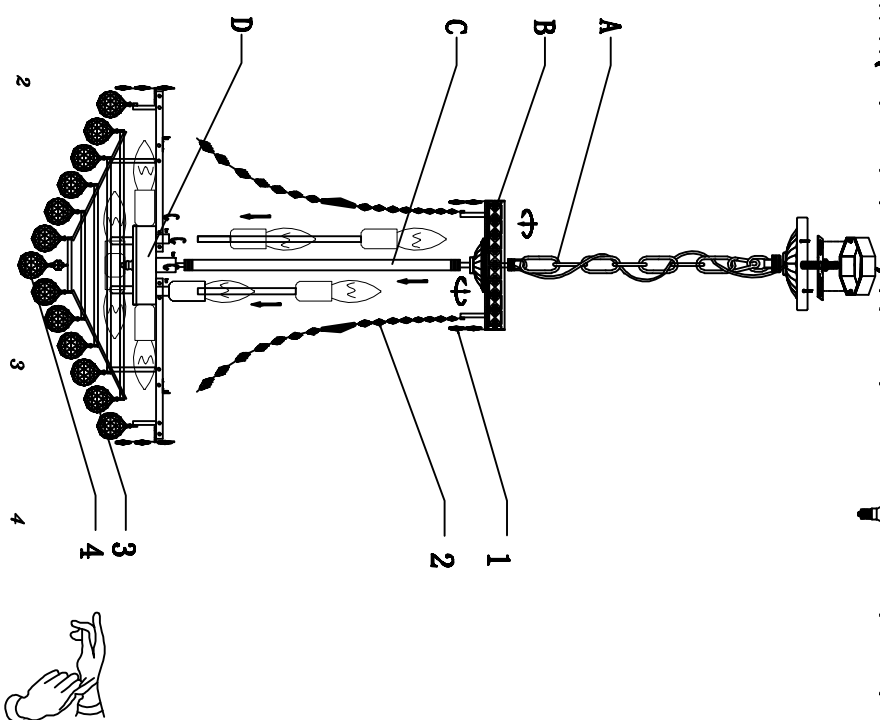
Trade Mark:
CRYSTAL WORLD INC

Product Name: Pendant lamp
Model :8002P22C
120Vac, 60Hz,AC ONLY
Lamp Size:Ø22"X28"H



PENDANT LAMP ASSEMBLY INSTRUCTIONS

1. Screw part(C) onto the lampbody(D) secure with screw.
2. Screw part(B) onto (C) and (A) onto (C) secure with screw.
3. Please wear gloves when you hanging the crystal.
4. Install bulbs (NOT INCLUDED).USE 120V E12  14*40W Max.



- | | | | | | |
|---|---|---|---|---|---|
| 1 |  22mm*2pcs | 1 |  12mm*1pcs | 3 |  40mm*1pcs |
| |  97PCS | 2 |  14mm*3pcs | 4 |  40mm*1pcs |
| | | |  16mm*3pcs | | |
| | | |  18mm*1pcs | | |
| | | |  50mm*1pcs | | |
| | | |  18mm*2pcs | | |
| | | |  20mm*2pcs | | |
| | | |  22mm*2pcs | | |
| | | |  24mm*1pcs | | |
| | | |  36PCS | | |