



# MIDWAY

RECESSED COLLECTION



## 2" 45362 HIGH OUTPUT SQUARE FIXED DOWNLIGHT



The Midway collection is a family of integrated led recessed lights available in sizes ranging from 2"-6". With their durable die cast aluminum bodies and built on CCT color selecting switch Midway family fixtures are aesthetically appealing, functional and extremely versatile. Their IC rated shallow bodies allow them to be used in most residential and commercial installations with or without insulation in the ceiling. Midway fixtures are available in white or black finish and come standard with a reliable phase dimming power supply.

PROJECT: \_\_\_\_\_

TYPE: \_\_\_\_\_

DATE: \_\_\_\_\_

NOTES: \_\_\_\_\_



2700K . 3000K . 3500K . 4000K . 5000K

### SPECIFICATIONS

#### LIGHT HOUSING

- IC Airtight Cast aluminum body.
- Remodel application. C/W spring loaded clips.
- Mates to driver box with quick connector.
- Max Ceiling thickness 5/8".
- Approved for wet location.

#### DIMENSIONS

- Cut hole:  $\varnothing$ 2 7/8".
- Fixture:  $\varnothing$ 3 1/8" x 5 1/8"H.

#### ELECTRICAL

- 120 V Input class 2 constant current dimmable driver enclosed in junction box.
- TRIAC and ELV dimming.
- Min operating temperature (-4°F~-104°F)(-20°C~-40°C).

#### LIGHT MODULE

- 1 x 15W Integrated LED COB.
- Lumen maintenance 70% 50,000 hrs.
- CRI: 90+
- Beam angle: 38 degree.
- Kelvin (CCT): 27K | 30K | 35K | 40K | 50K
- Delivered Lumen: 875 lm | 932 lm | 1027 lm | 1068 lm | 1041 lm

#### CERTIFICATIONS



### ORDERING GUIDE

MODEL	FINISH
45362-026	Black
45362-019	White

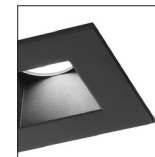
	WATTS	LUMENS	KELVIN	DIMMABLE	CRI	BEAM ANGLE	ADJUSTABLE
2 7/8"	15W	Up to 1068	CCT Selectable	TRIAC/ELV	90+	38°	NO



PRODUCT DIMENSIONS



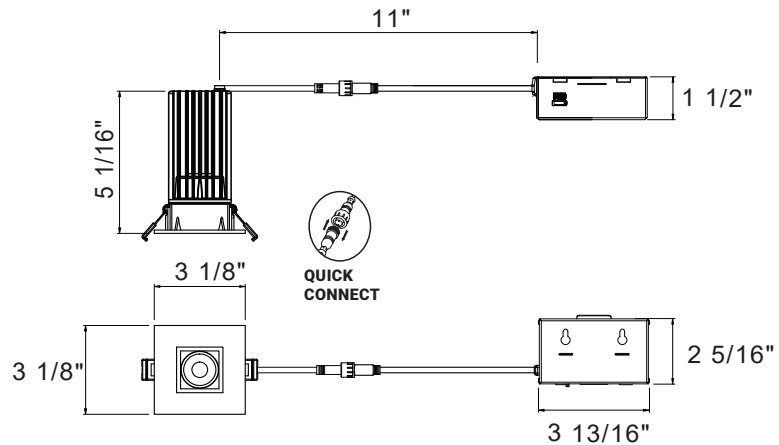
#### FINISHES



026- Black



019- White



### ACCESSORIES



45612-012  
60"  
3 pin Connector



45363-016  
NEW CONSTRUCTION  
SMASH PLATE  
13 1/4" x 6 1/2"  
 $\varnothing$ 2 3/4"



NO IC BOX  
REQUIRED

www.eurofase.com

Tel: 905.695.2055 Fax: 905.695.2056  
Toll Free: 1.800.660.5391 Toll Free: 1.800.660.5390

All features, functionality and other product specifications are subject to change without notice.